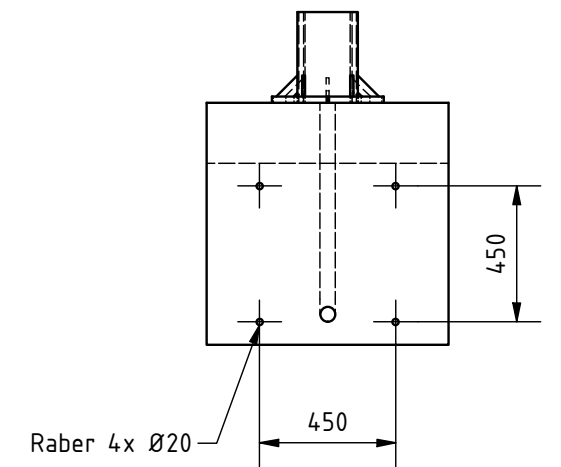
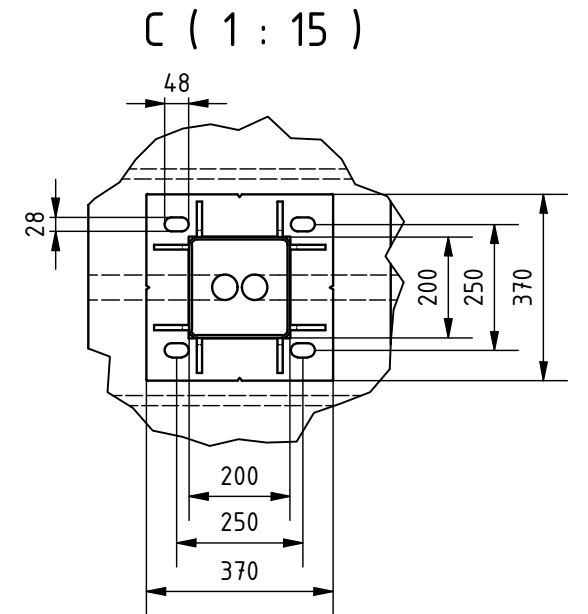
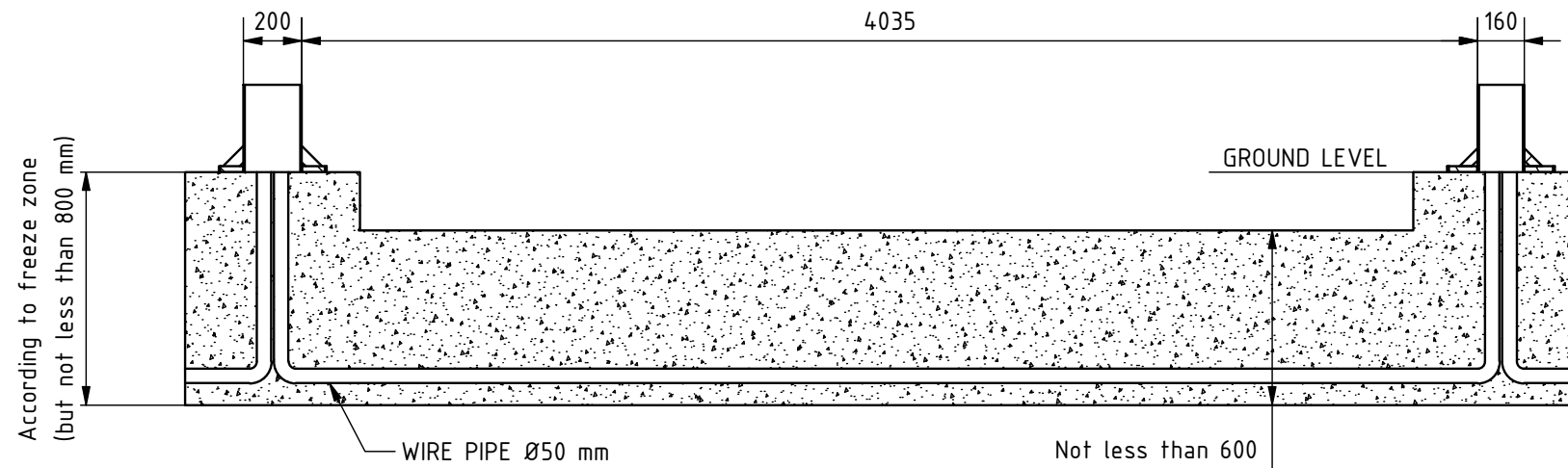
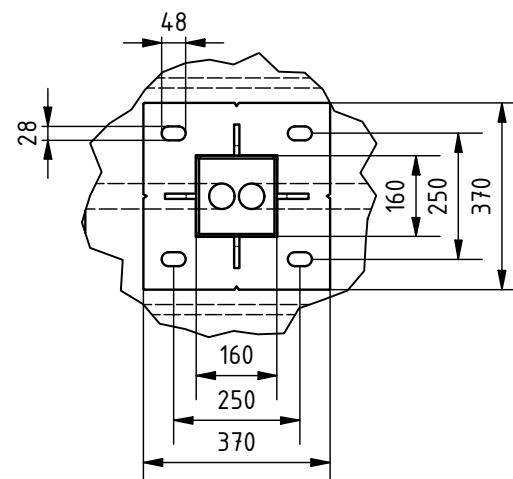


A-A ( 1 : 25 )



D ( 1 : 15 )



**Remarks:**

1. All dimensions in mm.
2. Prepare foundation with concrete class C25. Concrete must be reinforced with reinforcement bars or fibres and flat on top.
3. For gate installation put gateposts baskets inside concrete or use anchors M24x400 or longer.
4. Anchors must be over concrete surface between 70 - 100 mm.
5. Placing gate on or in foundation depending on detailed gate size - to be chosen on installation site.
6. This is suggested foundation plan. Dimensions, reinforcement, anchoring.

	Remarks			
	Designed by M.Pazdan	Scale 1 : 25	Format A3	Data 11.08.2023
Edited by	Height ---	Width ---	Material ---	Mass ---
Number 05907.0000	Drawing Frigg 1W 4000 Foundation			Rev. A