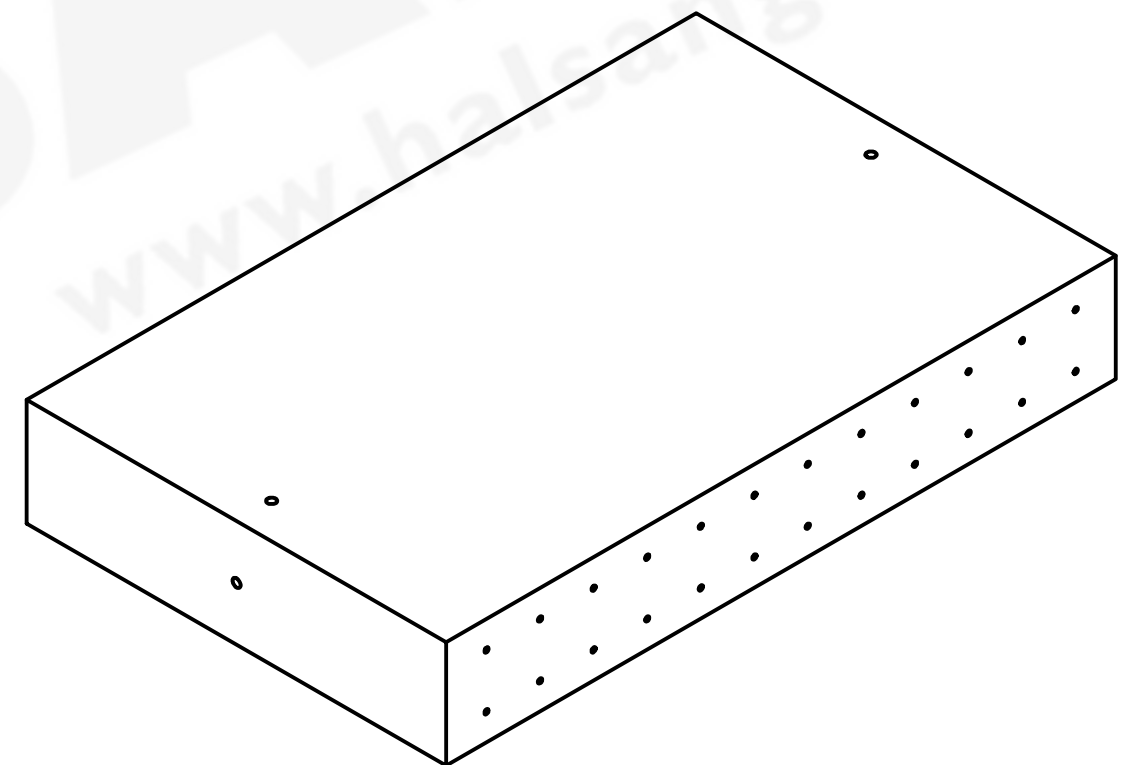
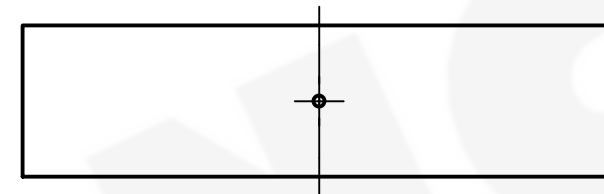
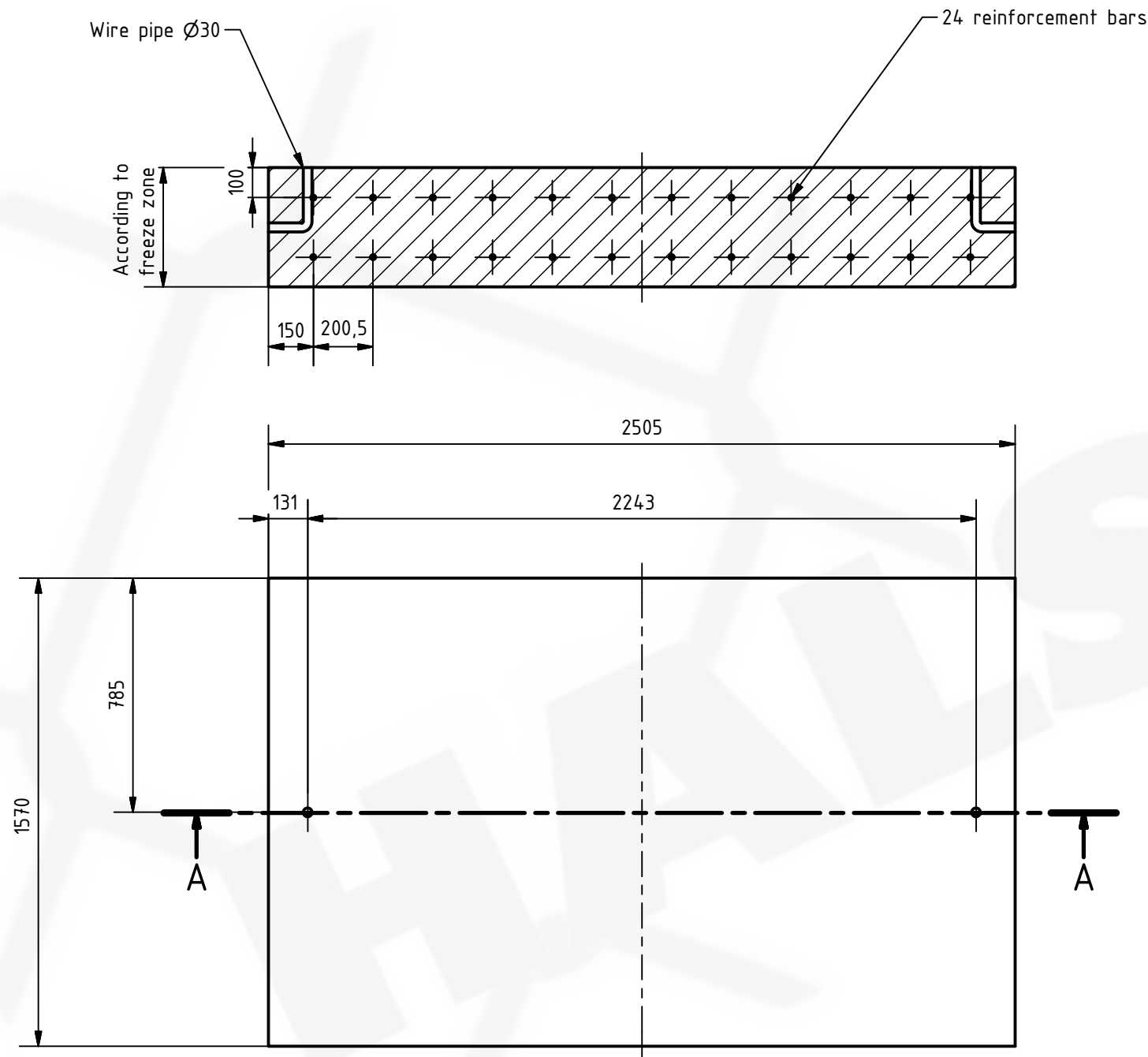



A-A (1 : 20)



1. All dimensions in mm.
2. Prepare foundation with concrete class C25. Concrete must be reinforced with reinforcement bars or fibres and flat on top.
3. For turnstile installation, put turnstile on prepared foundation - wire pipes with 230V AC supply should be just under turnstile's main posts, lay out and drill holes for appropriate anchors.
4. Placing turnstile on foundation depending on detailed turnstile size - to be chosen on installation site.
6. This is suggested foundation plan. Dimensions, reinforcement, anchoring.

Designed by K. Kowalski	Edited by -	Order number -	Date 12.07.2018	Format A3	Scale 1 : 20
Remarks -				Material C25	
				Number 04.76.04.A	
				Drawing DHHT 3 Arms foundation plan	